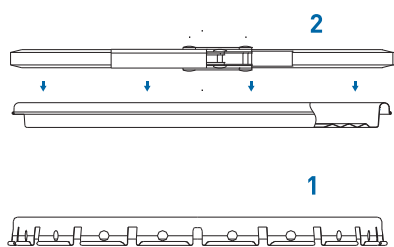
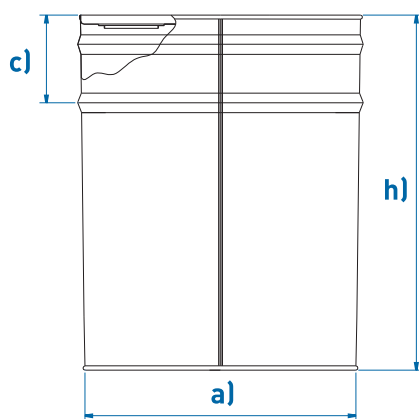
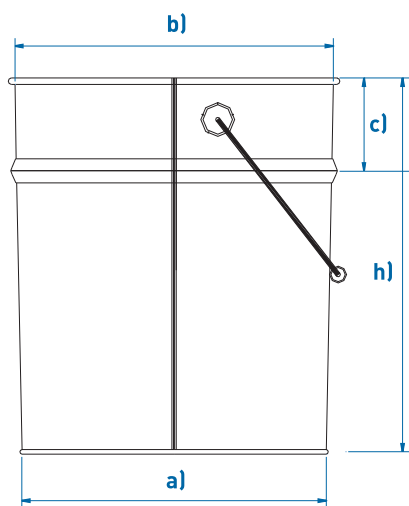
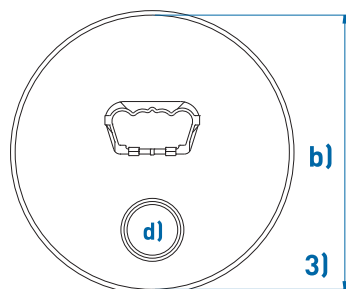


Espessura 0,45 mm

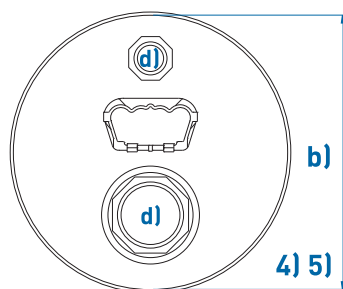
Thickness 0,45 mm



D.285



D.285



Furo|Bocal
Closure

3) Furo D57 | Bocal plástico
Closure D57 | Plastic closure

4) Furo 2" | Bocal metal
Closure 2" | Metallic closure

5) Furo 2" + 3/4" | Bocal metal
Closure 2" + 3/4" | Metallic closure

Formato
Format

Cap. nominal (ml)
Filling volume (ml)

Capacidade real (ml)
Brimful capacity (ml)

b)

h)

a)

No de canais
Number of beads

c)

Peso total (gr)
Total weight (gr)

Tampo 1/2
Lid 1/2

Bocal d)
Closure d)

UN | UN/X/250*

Obs.

Baldes
Pails

D.285x216	10000	11900	285	216	267	1	70	1461	1/2	o/3	•	1)
D.285x248	12500	13790	285	248	267	1	70	1585	1/2	o/3	•	1)
D.285x300	15000	17332	285	300	267	1	70	1767	1/2	o/3	•	1)
D.285x320	16000	18014	285	320	267	1	85	1830	1/2	o/3	•	1)
D.285x370	20000	21286	285	370	267	1	85	1972	1/2	o/3	•	1)
D.285x382	20000	22000	285	382	267	1	85	2005	1/2	o/3	•	1)
D.285x454	25000	26315	285	454	267	1	100	2200	1/2	o/3	•	1)

Bilhas
Drums

D.285/267x215	10000	11900	285	215	267	2	112	1180	-	o/3/4/5	•*	1)
D.285/267x256	12500	14100	285	256	267	2	112	1365	-	o/3/4/5	•*	1)
D.285/267x310	16000	17865	285	310	267	2	112	1586	-	o/3/4/5	•*	1)
D.285/267x378	20000	21700	285	378	267	2	112	1825	-	o/3/4/5	•*	1)
D.285/267x460	25000	27050	285	460	267	2	112	2057	-	o/3/4/5	•*	1)
D.285/267x473	27000	27900	285	473	267	2	112	2088	-	o/3/4/5	•*	1)

1008

Consulte-nos sobre outros formatos, capacidades ou características
Contact us for other formats, capacities or characteristics

o - Opcional 1) Cravação tripla
o - Optional 1) Triple seaming

www.neorelva.pt

Apartado 07 EC de Vale de Cambra
3731 - 901 Vale de Cambra
Tel.: +351 256 460 160 Fax: +351 256 422 558
geral@neorelva.pt

neorelva
metal and plastic packaging