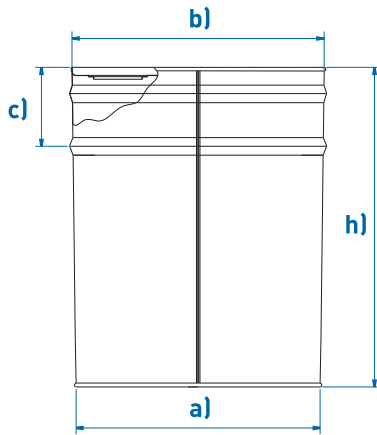
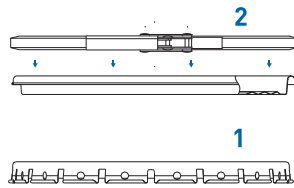
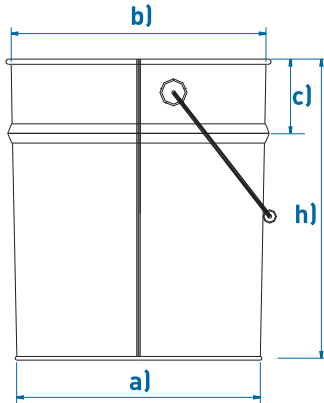
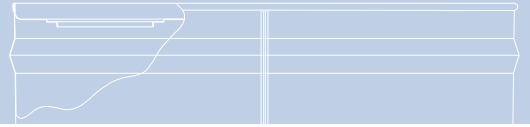
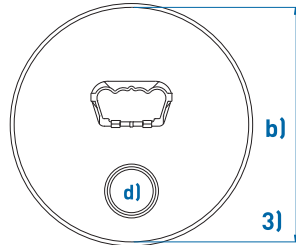


# Espessura 0,45 mm

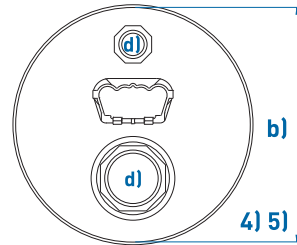
## Thickness 0,45 mm



D.285



D.285



**Furo|Bocal**  
Closure

**3) Furo D57 | Bocal plástico**  
Closure D57 | Plastic closure

**4) Furo 2" | Bocal metal**  
Closure 2" | Metallic closure

**5) Furo 2" + 3/4" | Bocal metal**  
Closure 2" + 3/4" | Metallic closure

**Formato**  
Format

**Cap. nominal (ml)**  
Filling volume (ml)

**Capacidade real (ml)**  
Brimful capacity (ml)

**Nº de canais**  
Number of beads

**Peso total (gr)**  
Total weight (gr)

**Tempo 1/2**  
Lid 1/2

**Bocal d)**  
Closure d)

**UN | \*UN/X/250**  
Obs.

**Baldes**  
Pails

D.285x216	10000	11900	285	216	267	1	70	1461	1/2	0/3	•	1)
D.285x248	12500	13790	285	248	267	1	70	1585	1/2	0/3	•	1)
D.285x300	15000	17332	285	300	267	1	70	1767	1/2	0/3	•	1)
D.285x320	16000	18014	285	320	267	1	85	1830	1/2	0/3	•	1)
D.285x370	20000	21286	285	370	267	1	85	1972	1/2	0/3	•	1)
D.285x382	20000	22000	285	382	267	1	85	2005	1/2	0/3	•	1)
D.285x454	25000	26315	285	454	265	1	100	2200	1/2	0/3	•	1)

**Bilhas**  
Drums

D.285/267x215	10000	12150	285	215	267	2	112	1180	-	3/4/5	•*	1)
D.285/267x256	12500	14400	285	256	267	2	112	1365	-	3/4/5	•*	1)
D.285/267x310	16000	17865	285	310	267	2	112	1586	-	3/4/5	•*	1)
D.285/267x378	20000	22000	285	378	267	2	112	1825	-	3/4/5	•*	1)
D.285/267x460	25000	27050	285	460	267	2	112	2057	-	3/4/5	•*	1)
D.285/267x473	27000	27900	285	473	267	2	112	2088	-	3/4/5	•*	1)

Gama standard. Em cada diâmetro existem outras alturas disponíveis. Consulte-nos sobre outras características.  
Standard range. In each diameter there are other heights available. Ask us about other characteristics.

• - Com / with

○ - Opcional / Optional

1) Cravação tripla

1) Triple seaming

[www.neorelva.pt](http://www.neorelva.pt)

Apartado 07 EC de Vale de Cambra

3731 - 901 Vale de Cambra

Tel.: +351 256 460 160 Fax: +351 256 422 558

[geral@neorelva.pt](mailto:geral@neorelva.pt)

**neorelva**  
metal and plastic packaging